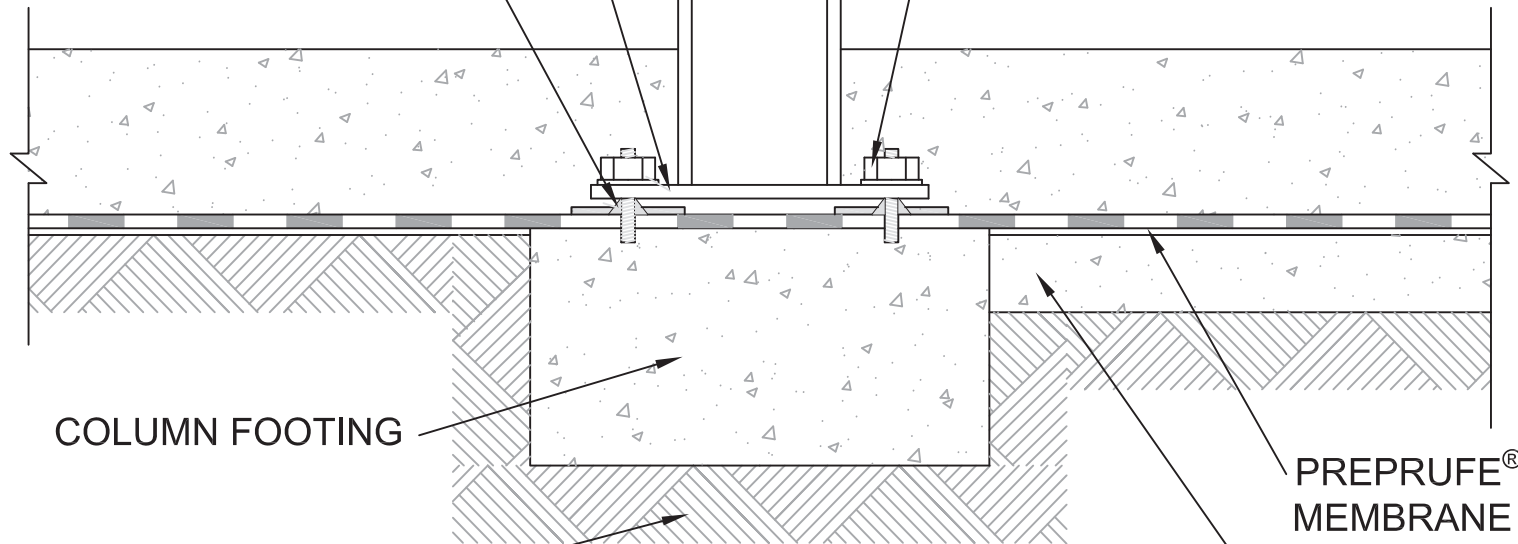


COLUMN BASE

BITUTHENE[®] LIQUID
MEMBRANE FILLET CARRYING
6 in (75 mm) ONTO THE
PREPRUFE[®] MEMBRANE

COLUMN

BOLTS



COLUMN FOOTING

COMPACTED EARTH

PREPRUFE[®]
MEMBRANE

MUD SLAB



COLUMN (OPTION 1)

PREPRUFE[®] WATERPROOFING SYSTEM

DRAWING: PRE 037

SCALE: Not to scale

EFFECTIVE DATE: 07/01/2016

SUPERCEDES: 03312007

Column (Option 1)

Prior to Membrane Installation, Review the Preprufe® Data Sheet



Surface Prep

All surfaces must be sound and solid to eliminate movement during the concrete pour. Substrate must be regular and smooth with no gaps or voids greater than 0.5 in (15 mm). The surface should also be free from loose aggregate and sharp protrusions as outlined in the Preprufe® Data Sheet section on Surface Preparation.

Detailing

1. Place Preprufe membrane over the column footing and directly under the column.
2. Tie-in penetrations such as rebar and threaded rod that penetrate the membrane should be sealed with Bituthene Liquid Membrane.
3. Cut the membrane tight to the penetration and ensure the penetration is free from rust, dirt, dust, etc.
4. If membrane is not within 0.5 in (15 mm) of penetration, apply Preprufe Tape to cover the gap.
5. Mix and apply Bituthene Liquid Membrane around the penetration.
6. Bituthene Liquid Membrane should be placed to form a minimum 1 in (25 mm) continuous fillet around the penetration at the point of penetration.
7. Bituthene Liquid Membrane should be applied as a 90-mil (2.2 mm) continuous coating overlapping a minimum of 3 in (75 mm) onto the surface of the Preprufe membrane.
8. Apply Hydroduct® according to Hydroduct Data Sheet.

Special Notes

Preprufe membranes should not be used in areas where they will be permanently exposed to sunlight, weather or traffic. Protect membrane from sunlight as quickly as possible after installation.