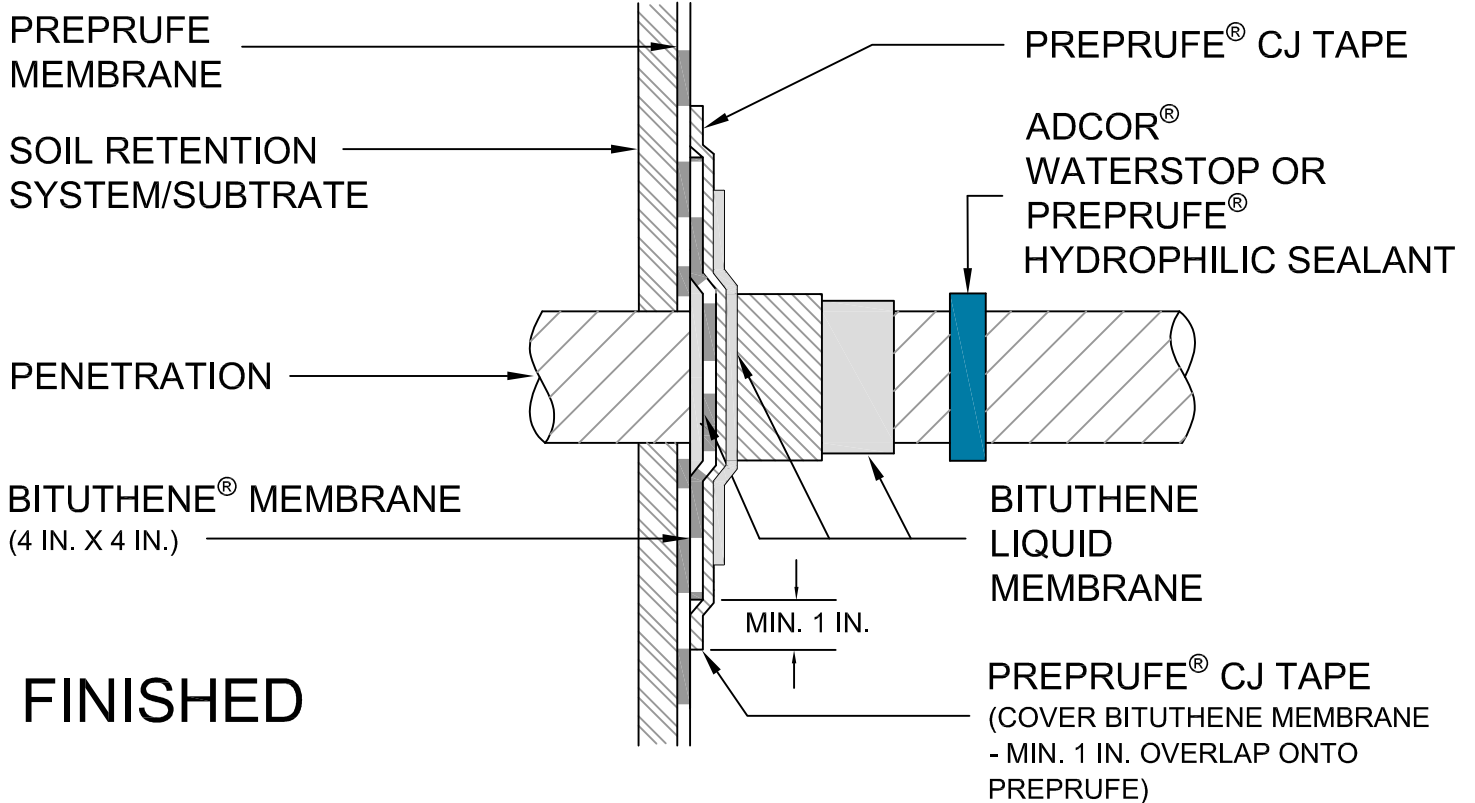
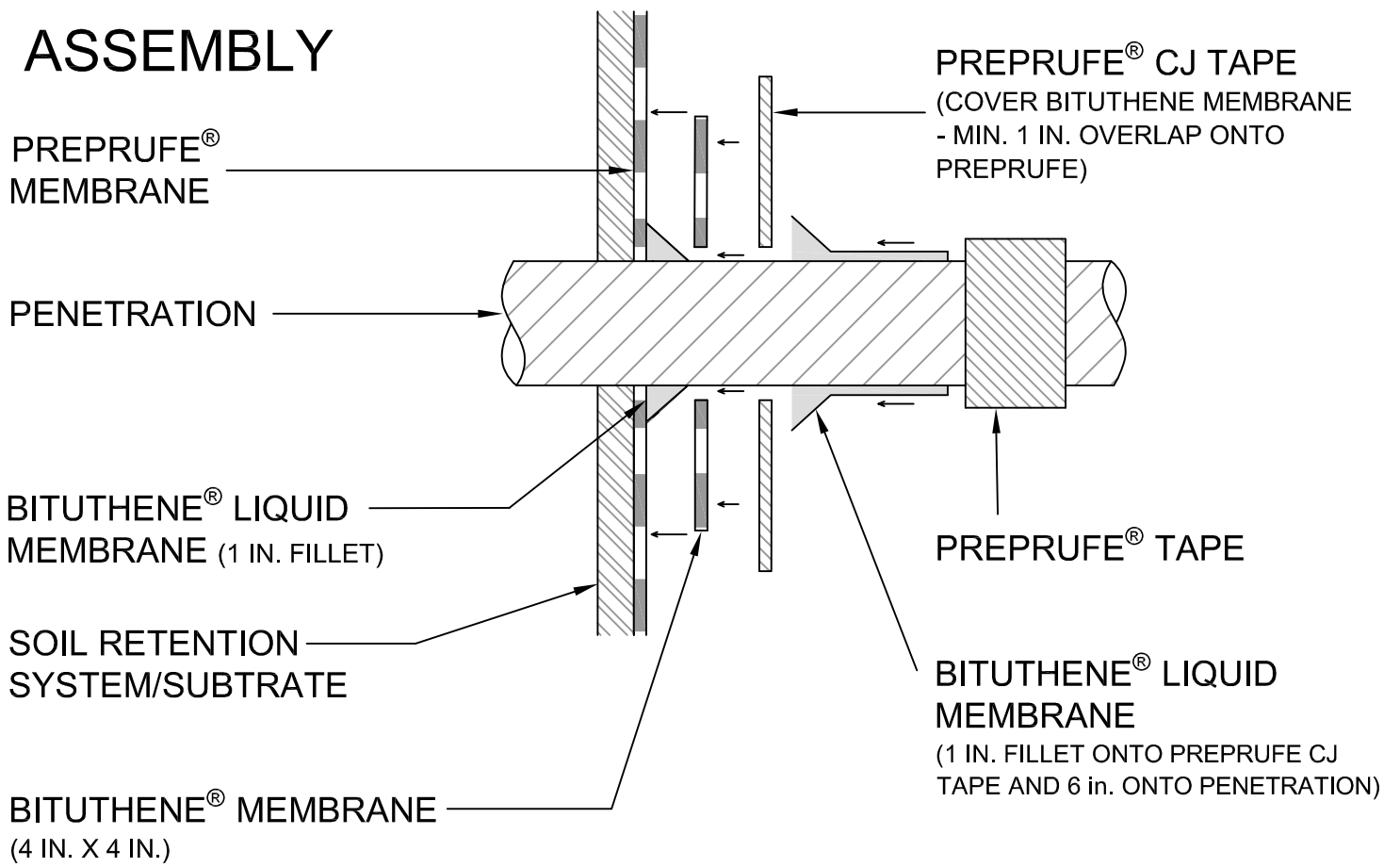


# ASSEMBLY



# FINISHED



## REBAR, DOWEL & ALL-THREAD PENETRATION PREPRUFE® WATERPROOFING SYSTEM

DRAWING: PRE-049

SCALE: Not to scale

EFFECTIVE DATE: 07/01/2016

SUPERCEDES: 04012015

# Wall Penetration

(Rebar, Dowel, All-Thread)

Prior to Membrane Installation, Review the Preprufe® Data Sheet



## Surface Prep

All surfaces must be sound and solid to eliminate movement during the concrete pour. Substrate must be regular and smooth with no gaps or voids greater than 0.5 in (15 mm). The surface should also be free from loose aggregate and sharp protrusions as outlined in the Preprufe® Data Sheet section on Surface Preparation.

## Detailing

1. All penetrations must be firmly secured and stable. Grout around all penetrations that are not stable. Clean loose dust or dirt from the penetration and the surrounding substrate surface using a clean, dry cloth or brush.
2. Cut the field membrane tight to the penetration and remove release liner. If membrane is not within 0.5 in (15 mm) of penetration and not more than 2 in (50 mm) from penetration, apply Preprufe Tape to cover the gap. Roll firmly into place and remove release. If the membrane is greater than 2 in (50 mm) from penetration, install more Preprufe Membrane to cover the gap repeating these instructions until Preprufe Membrane/ Tape is within 0.5 in (15 mm).
3. Install appropriate shallow head fasteners within 2 in (50 mm) of penetration as necessary to ensure Preprufe Membrane remains tight to substrate.
4. Mix and apply Bituthene Liquid Membrane around the penetration. Liquid Membrane should be placed to form a minimum 1 in (25 mm) continuous fillet at the base of the penetration.
5. Slide a 4 in (150 mm) x 4 in (150 mm) patch of Bituthene centered over the penetration and press firmly into the partially cured Liquid Membrane.
6. Install an 8 in (200 mm) x 8 in (150 mm) patch of Preprufe CJ Tape over the penetration ensuring that it completely covers the Bituthene Membrane patch and overlaps a minimum of 1 in (25 mm) onto the field Preprufe Membrane.
7. Apply Liquid Membrane to form a minimum 1 in (25 mm) continuous fillet between the Preprufe CJ Tape and the base of the penetration. Extend a 90-mil (2.2 mm) continuous coating of Liquid Membrane minimum of 6 in (150 mm) out onto the penetration.
8. Wrap the penetration with Preprufe Tape, positioning the tape at the base of the penetration. Remove enough release liner to overlap tape on to itself and roll/ press firmly into place. Remove remaining release liner and discard.

## Special Notes

Preprufe membranes should not be used in areas where they will be permanently exposed to sunlight, weather or traffic. Protect membrane from sunlight as quickly as possible after installation.

Ensure Adcor® waterstop is encapsulated with 3 in (75 mm) of concrete cover minimum.

Apply Adcor® waterstop according to the installation instructions found on the data sheet.

GCP may require an alternative GCP waterstop based on design conditions, at GCP's discretion.