

VYCOR® enV™
(SEE NOTE E)

SIDING

EXTERIOR
SHEATHING

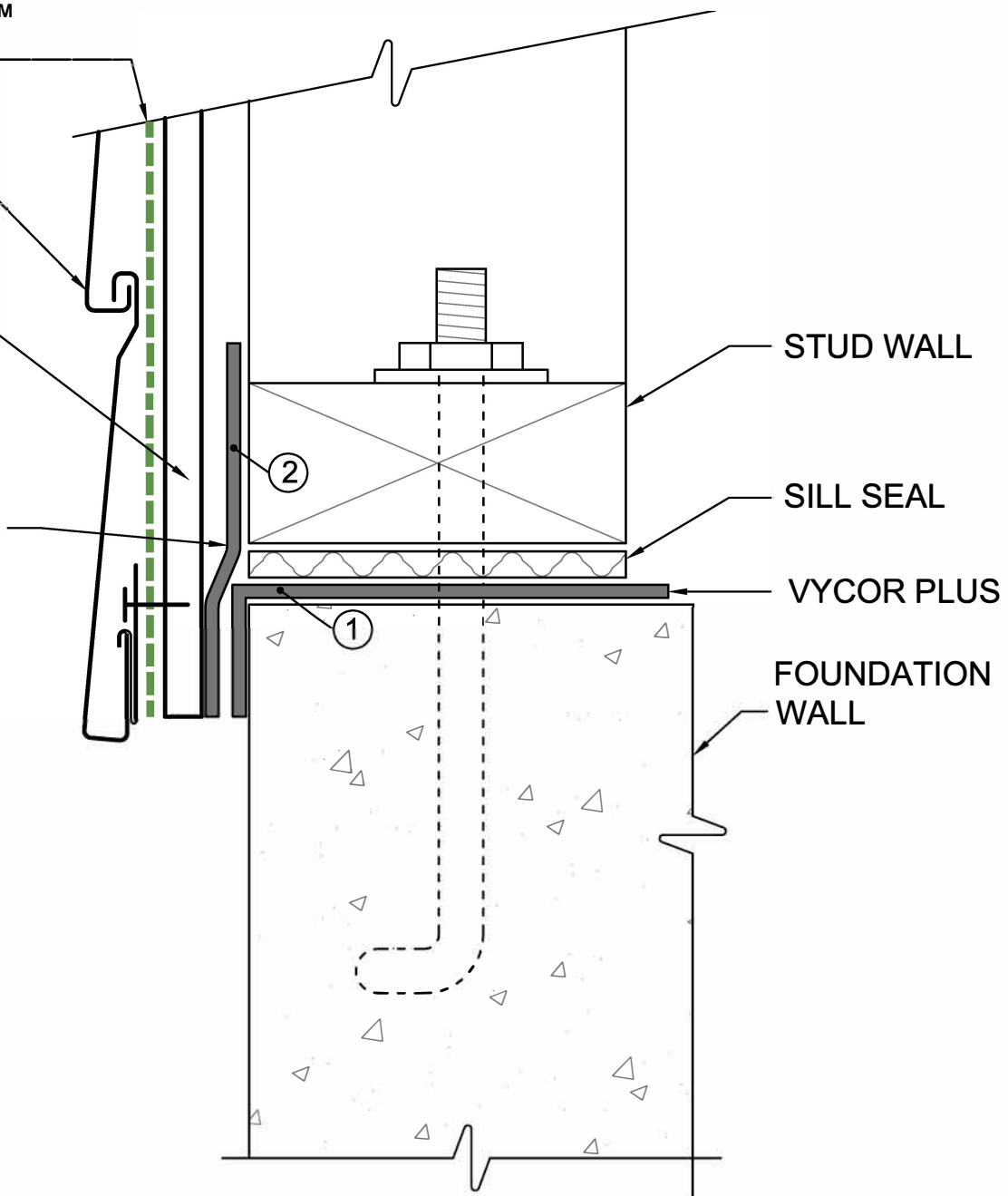
VYCOR
PLUS

STUD WALL

SILL SEAL

VYCOR PLUS

FOUNDATION
WALL



NOTES:

- A. VISIT GCPAT.COM FOR THE MOST CURRENT DETAILS, INSTALLATION VIDEO AND PRODUCT DATA SHEETS
- B. RIPCORD® CAN BE REMOVED FROM VYCOR PLUS FOR EASE OF INSTALLATION
- C. INSTALL VYCOR PLUS IN ORDER AS SHOWN BY NUMBERS
- D. INSTALL VYCOR PLUS AND VYCOR enV TO FORM WATER-SHEDDING LAPS
- E. REFER TO LOCAL BUILDING CODES FOR WEATHER RESISTIVE BARRIER REQUIREMENTS
- F. IF PRIMING NECESSARY, USE PERM-A-BARRIER® WB PRIMER TO PROMOTE VYCOR ADHESION TO CONCRETE
- G. DETAIL ALSO RELEVANT FOR ALL FLASHINGS

FOUNDATION SILL PLATE - OPTION 1

VYCOR® PLUS SELF-ADHERED FLASHING

Drawing: VCRDET-505

Scale: Not to scale

Effective Date: 04/01/09

Supersedes: 01/31/07