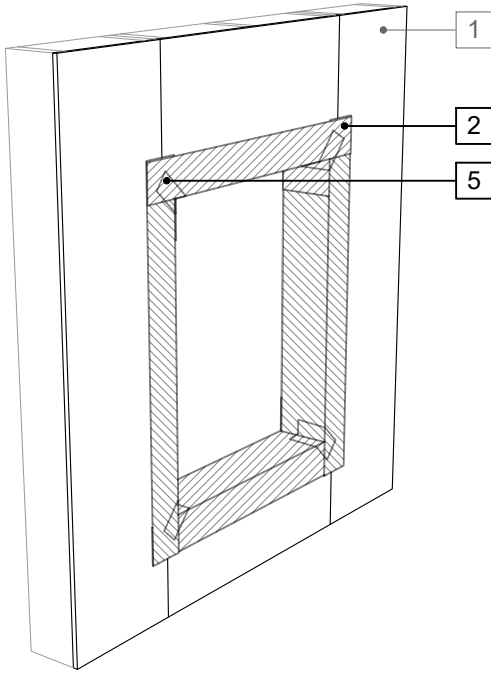
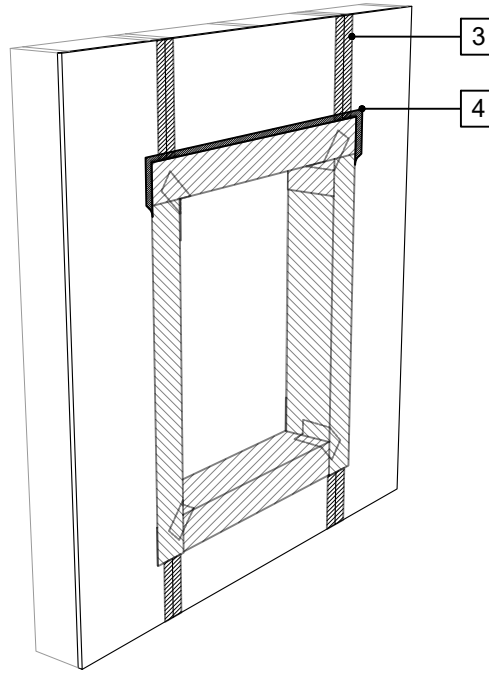


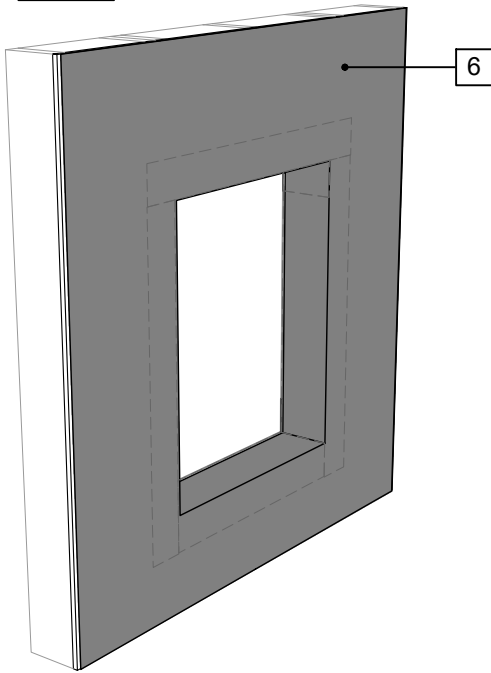
STEP 1



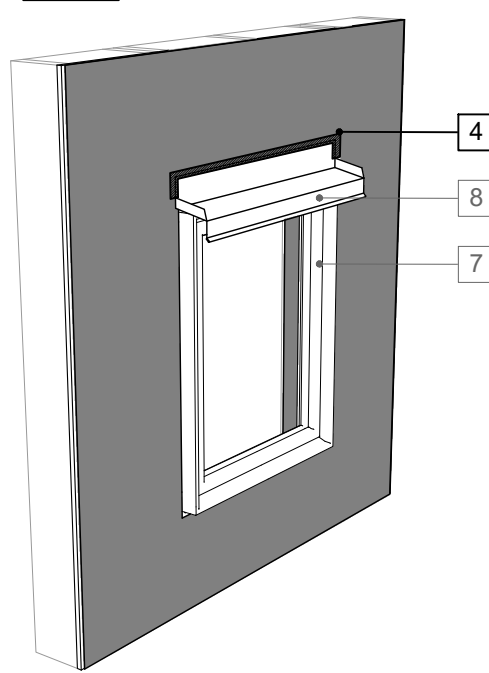
STEP 2



STEP 3



STEP 4



LEGEND

1. SHEATHING SUBSTRATE
2. PERM-A-BARRIER® DETAIL MEMBRANE, NPS DETAIL MEMBRANE, ALUMINUM FLASHING, OR WALL FLASHING - PRIME SUBSTRATE WHERE REQUIRED (SEE DRAWING PLQ-003 (3D-2) FOR MORE INFORMATION)
3. JOINT TREATMENT PER DETAIL PLQ-009B
4. PERM-A-BARRIER® S100 SEALANT - 1-INCH WIDE TROWELED BEAD
5. CORNER PATCH
6. PERM-A-BARRIER® LIQUID
7. WINDOW PER ARCH
8. SHEET METAL HEAD FLASHING PER ARCH.

NOTE

- CONTINUOUS AIR AND WATER SEAL AT PERIMETER OF FENESTRATION, FENESTRATION ATTACHMENT, AND DRAINAGE OF ROUGH OPENING TO BE PER PROJECT SPECIFIC REQUIREMENTS
- SEAL ALL NON-WATER SHEDDING EDGES WITH ACCEPTABLE SEALANT
- OPTIONAL - WINDOW FLASHING SEQUENCE CAN BE COMPLETED AFTER FIELD APPLICATION OF PERM-A-BARRIER® LIQUID

GENERAL NOTES

1. Detail not suitable for all climates. Avoiding excessive moisture accumulation in exterior walls is dependent on many factors including proper placement of insulation and water, air, and vapor control layers in the wall. Confirm membranes are suitable for project specific service temperatures. For assistance with exterior wall design, consult with a building science professional.
2. Install all GCP products in accordance with GCP Product Data Sheets and GCP recommendations.
3. GCP products are indicated in the detail legend in **BOLDFACE** font. Detail components by others are indicated in **GRAY FONT**. Install components per manufacturer and project specific requirements.

*Refer to air barrier system product data sheet for acceptable self-adhered flashing products.



WINDOW FLASHING SEQUENCE - SHEET-APPLIED FLASHING

PERM-A-BARRIER® LIQUID
AIR BARRIER SYSTEM

DRAWING:	PLQ-003 (3D-1)
SCALE:	3" = 1'
EFFECTIVE DATE:	2020.05.21
SUPERCEDES:	NEW