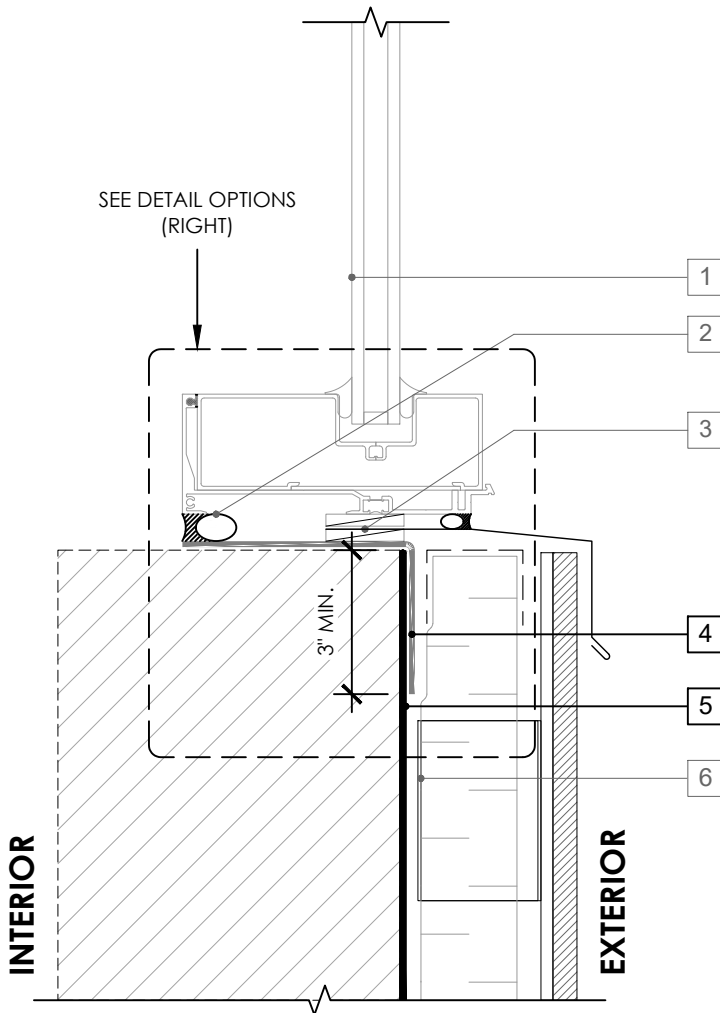


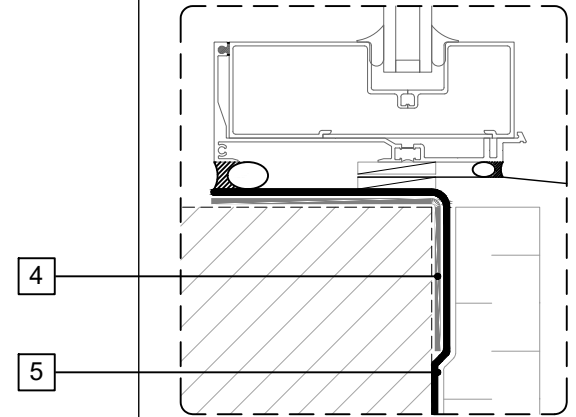
# OPTION 1



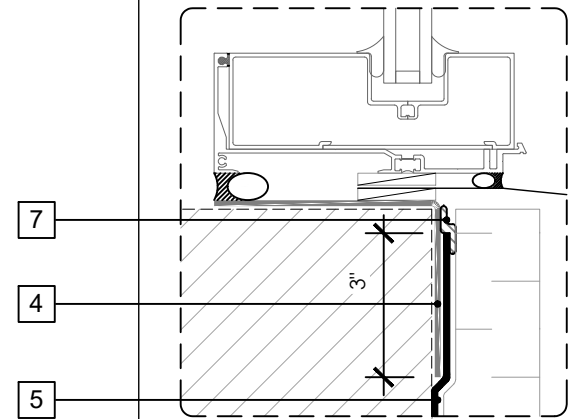
## LEGEND

1. NON-FLANGED WINDOW SYSTEM
2. INTERIOR AIR SEALANT OVER BACKER ROD
3. SHEET METAL FLASHING SANDWICHED BETWEEN INTERMITTENT SHIMS
- 4. PERM-A-BARRIER® SELF-ADHERED FLASHING\* - PRIME SUBSTRATE WHERE REQUIRED**
- 5. PERM-A-BARRIER® LIQUID**
6. CLADDING ATTACHMENT - CONFIRM DETAILING REQUIREMENTS WITH THE GCPAT REPRESENTATIVE
- 7. PERM-A-BARRIER® S100 SEALANT - 1-INCH WIDE TROWELED BEAD**

## OPTION 2



## OPTION 3



## GENERAL NOTES

1. Detail not suitable for all climates. Avoiding excessive moisture accumulation in exterior walls is dependent on many factors including proper placement of insulation and water, air, and vapor control layers in the wall. Confirm membranes are suitable for project specific service temperatures. For assistance with exterior wall design, consult with a building science professional.
2. Install all GCP products in accordance with GCP Product Data Sheets and GCP recommendations.
3. GCP products are indicated in the detail legend in **BOLDFACE** font. Detail components by others are indicated in GRAY FONT. Install components per manufacturer and project specific requirements.

\*Refer to air barrier system product data sheet for acceptable self-adhered flashing products.



### WINDOW SILL DETAIL - NON-MASONRY CLADDING

PERM-A-BARRIER® LIQUID  
AIR BARRIER SYSTEM

DRAWING: PLQ-012

SCALE: 3" = 1'

EFFECTIVE DATE: 2020.05.21

SUPERCEDES: NEW